

**Features**

The TP5000 combines the functions of a time clock and room thermostat into a stylish, simple to use controller that allows the user to programme different temperatures for different times of the day. Both models offer 5 day / 2 day programming, enabling different programmes to be selected for weekdays and weekends.

Models are available with hard-wired connections, type TP5000 or with labour saving RF wireless communication, type TP5000-RF. All models in the range offer up to 6 time and temperature changes each day and include the option of programming an Off event as well as a set-back temperature. TP5000 can also be set to provide 2 events each day, which is more suited to many commercial applications.

Programming is achieved using just five buttons which also provide useful user overrides including thermostat mode, frost mode and weekend into weekday override whilst the thermostat is in run mode.

In addition to the regular hard-wired model, the range also includes an RF model, type TP5000-RF, which incorporates a radio transmitter. This utilises secure digital wireless communication between the thermostat and a receiver unit that can be located up to 30 metres from the thermostat. Receiver modules, type RX, are available in 1, 2 & 3 zone versions, each one requiring its own thermostat and all of which are matched to their respective thermostats on site during the commissioning process.

- Up to 6 time and temperature events each day
- Weekday / weekend programming
- Battery powered, 2 wire control for ease of installation
- Many user overrides including thermostat mode
- Choice of On/Off chrono-proportional regulation
- Available in hard-wired and wireless versions

**Thermostat Specifications**

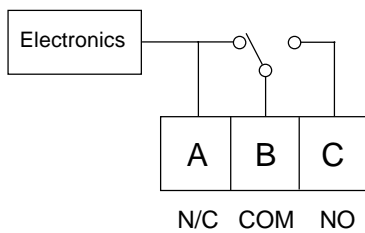
Features	TP5000		TP5000-RF
Hard-wired thermostat	●		
RF-wireless thermostat			●
Order Codes	087N699500		087N699800
Control temperature range	Off, 5°C to 30°C		
Digital clock type	24 hour		
Programme			
Factory pre-set times and temperatures	Setting	Time	Temperature
Weekdays (1-5)	1	06:30	20°C
	2	08:30	15°C
	3	11:30	20°C
	4	13:30	15°C
	5	16:30	21°C
	6	22:30	15°C
Weekend (6-7)	1	07:00	20°C
	2	16:00	21°C
	3	23:00	15°C
	4	00:00	15°C
	5	01:00	15°C
	6	01:59	15°C
Control type	ON/OFF or chrono-proportional		
Maximum ambient temperature	45°C		
Power supply	2 x AA/MN1500/LR6 Alkaline batteries		
Memory back-up	Capacitor provides for no programme loss while changing batteries		
Switch rating	6 (2) A, 230Vac		N/A
Switch contacts	SPDT		N/A
Transmitter frequency	N/A		433.92MHz
Transmitter range	N/A		30 metres max.
Dimensions (mm)	110 wide x 88 high x 28 deep		

**Receiver Specifications**  
(RF models only)

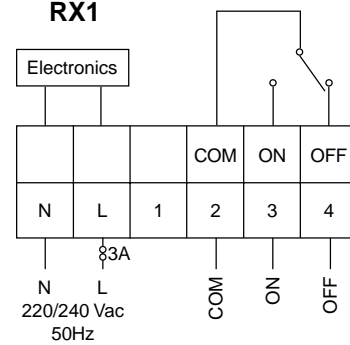
Receiver Features	RX1	RX2	RX3
Order Codes	087N747600	087N747700	087N747800
Single channel receiver module, works in conjunction with one thermostat	•		
Two channel receiver module, works in conjunction with two thermostats		•	
Three channel receiver module, works in conjunction with three thermostats			•
Transmitter code self learning feature	•	•	•
Receiver Frequencies	433.92 MHz		
Supply Voltage	220/240 Vac, 50 Hz		
Output relay current rating	3 (1) A		
Output relay configuration (commons linked internally)	1 x SPDT	1 x SPDT 1 x SPST	1 x SPDT 2 x SPST
Memory retention	Memory retained electronically on power down		
Dimensions (mm)	138 wide x 88 high x 32 deep		

**Wiring Details**

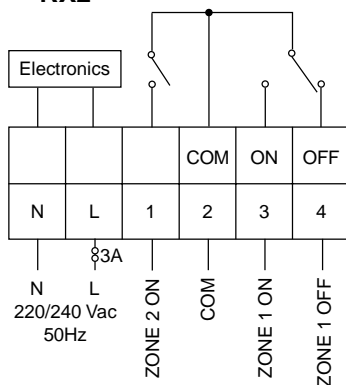
**TP5000**



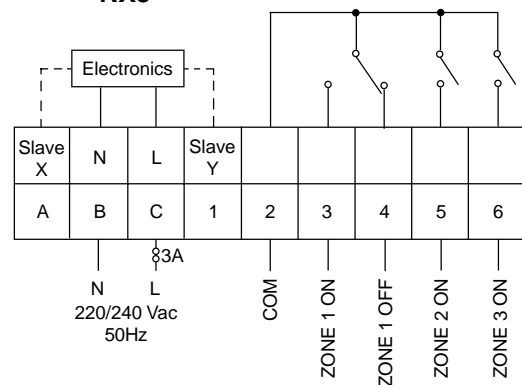
**RX1**



**RX2**



**RX3**



**Danfoss Randall Limited**

Amphill Road  
 Bedford, MK42 9ER  
 Tel: (01234) 364621 Fax: (01234) 219705  
 Email: danfossrandall@danfoss.com  
 Website: www.danfoss-randall.co.uk